
PHILIPS

Model F5G01A, F5G02A

General Description: Model F5G01A is a seven-valve (including rectifier), three-waveband A.M./F.M. stereo radiogram with Philips record changer Type AG1014. Model F5G02A has a similar chassis with the addition of a tuning indicator. High-impedance tape-recorder socket. Also known as Models 501A, 502A.

Power Supply: A.C. mains, 200–250 volts, 50 c/s., about 95 watts.

Wavebands: M.W. 187–560 m.; L.W. 1087–2000 m.; V.H.F. 87·5–100 Mc/s.

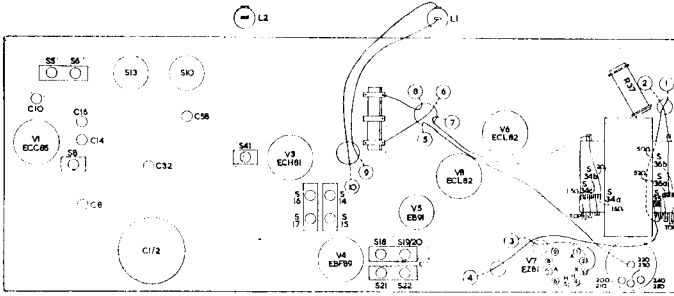
Valves: (V₁) ECC85; (V₂) EM84 (F5G02A only); (V₃) ECH81; (V₄) EBF89; (V₅) EB91; (V₆) ECL82; (V₇) EZ81; (V₈) ECL82.

Alignment Frequencies: I.F. 470 kc/s., 10·7 Mc/s. M.W. 1620 kc/s. L.W. 190 kc/s. V.H.F. 87·5, 94, 100 Mc/s.

Notes: Dial lamps Type 8028D-00.

Dismantling: *Model F5G01A:* Remove both back-plates and lead cover strip on bottom of cabinet. Disconnect both pairs of loudspeaker leads (plug and socket). Remove right-hand loudspeaker, right-hand extension loudspeaker socket panel, aerial socket panel and tape socket panel (keyhole slots). Disconnect pick-up input plug and motor mains lead plug. Unscrew balance control from front of cabinet. Remove four chassis-fixing screws and withdraw chassis.

Model F5G02A: Remove left-hand back-plate. Disconnect both pairs



of loudspeaker leads. Remove aerial socket panel, both loudspeaker socket panels and tape socket panel. Disconnect pick-up input plug and motor mains lead plug. Release tuning indicator and remove balance control. Remove four chassis-fixing screws and withdraw chassis.

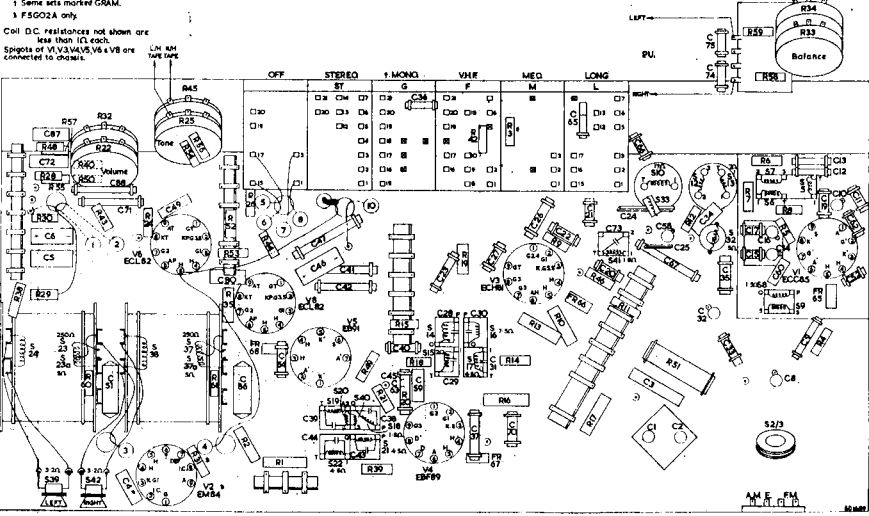
Record Changer: Remove four nylon fixing bushes. Disconnect pick-up input plug and motor mains lead, then lift unit out of cabinet.

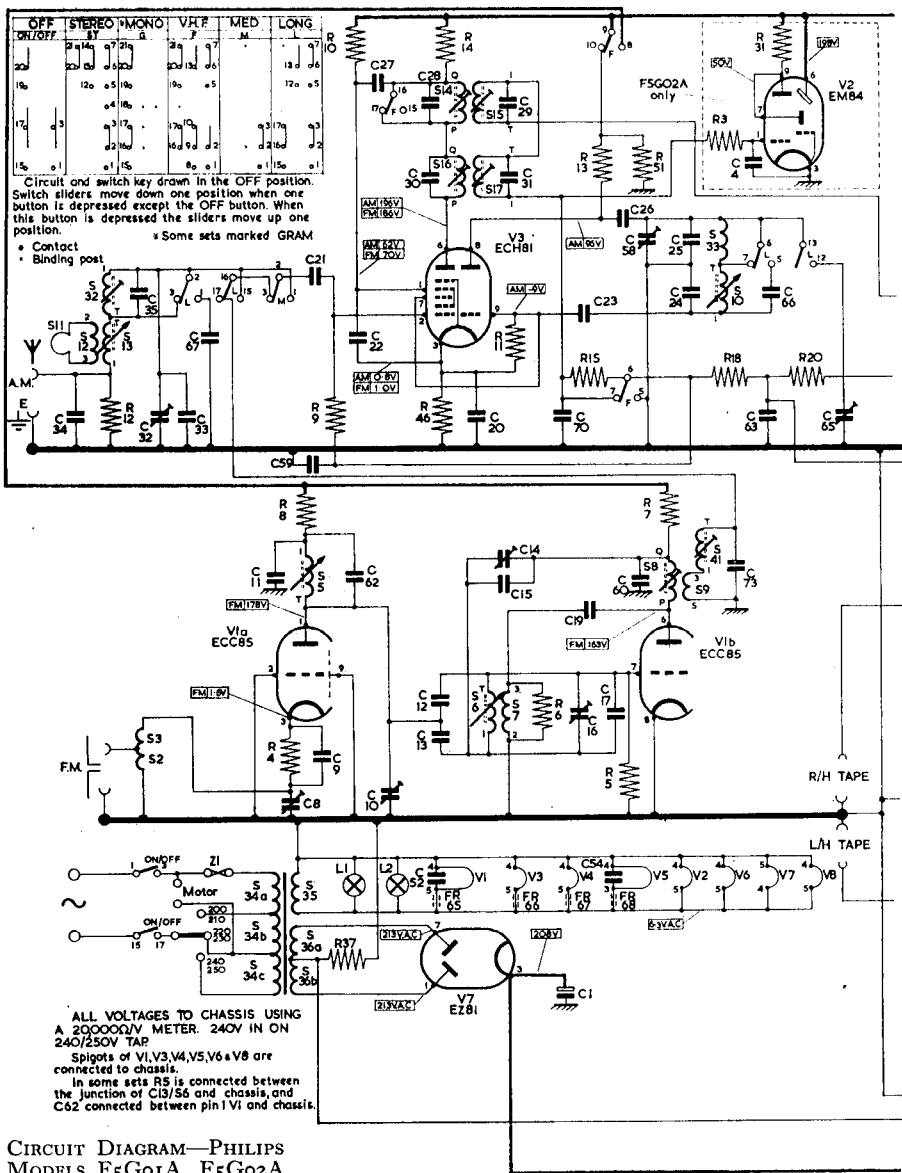
Capacitors.							
C1, 2	50 + 100 (275 v.)	C21	100 pF.	C39	47 pF.	C65	50 pF.
C3	82,000 pF.	C22	2,200 pF.	C40	4,700 pF.	C66	15 pF.
C4	4,700 pF. (F5Go2A)	C23	56 pF.	C41	390 pF.	C67	742 pF. (1%)
C5	0.47	C24	290 pF. (1%)	C42	390 pF.	C70	100 pF.
C6	100 (6 v.)	C25	120 pF. (1%)	C43	195 pF.	C71	470 pF.
C8	1-18 pF.	C26	470 pF.	C44	195 pF.	C72	2,200 pF.
C9	220 pF.	C27	4,700 pF.	C45	100 pF.	C73	15 pF.
C10	1-5 pF.	C28	15 pF.	C46	2 (50 v.)	C74	100 pF.
C11	1,000 pF.	C29	15 pF.	C47	820 pF.	C75	100 pF.
C12	8-2 pF.	C30	110 pF.	C49	4,700 pF.	C80	4,700 pF.
C13	8-2 pF.	C31	195 pF.	C51	1,000 pF. (1300 v.)	C86	1,000 pF. (1300 v.)
C14	1-10 pF.	C32	1-18 pF.	C52	1,000 pF.	C87	2,200 pF.
C15	5-6 pF.	C33	33 or 27 pF.	C54	1,000 pF.	C88	470 pF.
C16	1-10 pF.	C34	3,000 pF. (5%)	C58	1-18 pF.		
C17	15 pF.	C35	56 pF.	C59	47,000 pF.		
C19	33 pF.	C36	4,700 pF.	C60	130 pF. (1%)		
C20	22,000 pF.	C37	4,700 pF.	C62	4.7 pF.		
		C38	22 pF.	C63	100 pF.		

In some models an extra 18 pF. capacitor is fitted across C60.

S	24	23 230.	38	37 370.	19	22, 20 40 80 21	14 15 16 17	41	33 10	12 32 18	2 3 7 6 8 9 5
C	87 72 6 5	89 71 51 4	49	80 86	54 47 46	30 41 42 44 36 43 43 45 33 36 99	23 28 29	30 38 37 27 70	26 22 65 21	20 73 66 34 67 25 13 18 2	34 70 32 35 33 71 54 4 60 8 13 2 8 9 10 12 5
R	28 29 48 28 30 57 55 40 30 43 32 22 40 24 45 25 54 56 31 61 35 53 52 2 26 44 66 1					40 30 21 15 20 18	18 67 42 16 14 3 13 9 10 66 17 46	11	51 12	9 7 58 6 5 6	34 33 65 4

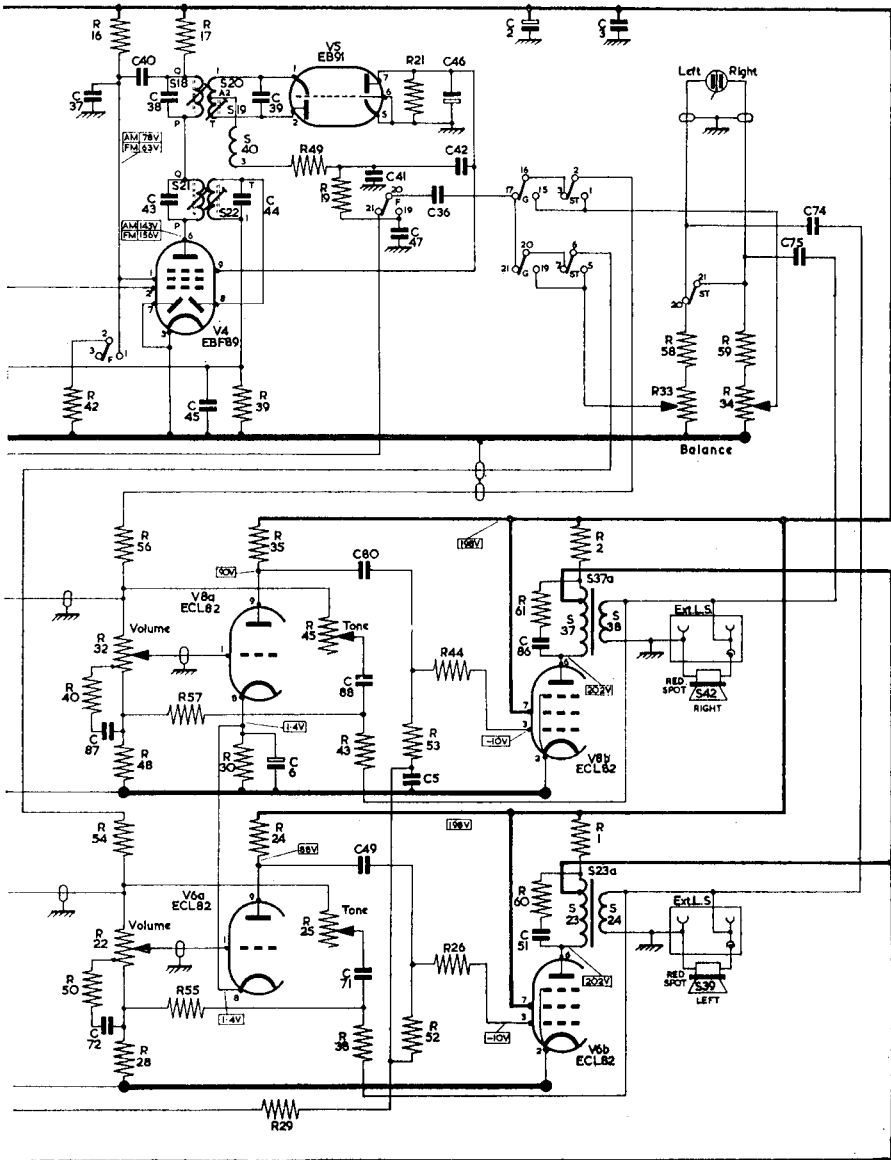
1 Some sets marked GRAM.
1 F5GO2A only.
Coil D.C. resistances not shown are less than 1Ω each.
Spigots of V1, V3, V4, V5, V6 & V8 are connected to chassis.





CIRCUIT DIAGRAM—PHILIPS MODELS F5G01A, F5G02A

R1	Resistors.	R8	2.2k	R16	33k	R24	0.22M
R2	390 (1 W.)	R9	1M	R17	4.7k	R25	2M (log.)
R3	390 (1 W.)	R10	39k	R18	1.2M	R45	
R4	1M (F5G02A)	R11	47k	R19	47k	R26	1k
R5	180	R12	33k	R20	0.1M	R28	68
R6	0.1M	R13	33k	R21	27k	R29	0.39M
R7	2.2k	R14	2.2k	R22		R30	1.2k
	10k	R15	1M	R32	0.4M + 1.6M	R31	0.47M (F5G02A)



R33 } 1M	R40 } 0.1M	R50 } 0.1M	R56 } 0.1M
R34 } 1M	R42 } 47k	R51 } 18k (W.W., 5 W., 5%)	R57 } 150
R35 } 0.22M	R43 } 2.2k	R52 } 0.82M	R58 } 0.1M
R37 } 150 (W.W., 5 W., 5%)	R44 } 1k	R53 } 0.82M	R59 } 0.1M
R38 } 5%	R46 } 120	R54 } 0.1M	R60 } 3.9k
R39 } 0.22M	R48 } 68	R55 } 150	R61 } 3.9k
	R49 } 120		